



**Additional Dimensions: (Part # 4820)**

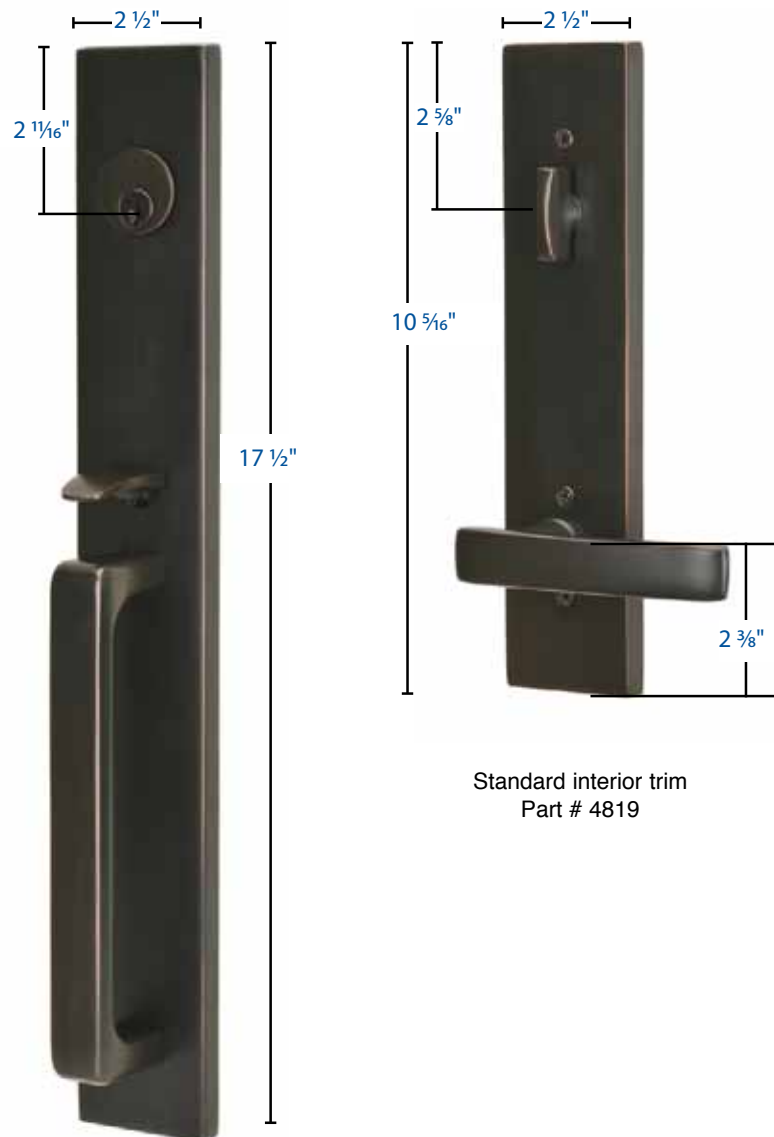
- Exterior Projection is 2 1/2"
- Interior Projection Depends on Handle Style
- Overall Grip thickness: 1"
- Clearance between door & grip is 1 7/8"
- Plates thickness: 1/2"

**Same Dimensions for Dummy Function**

**Additional Dimensions: (Part # 4818)**

- Exterior Projection is 2 3/4"
- Interior Projection Depends on Handle Style
- Overall Grip thickness: 1"
- Clearance between door & grip is 1" - 1 3/4"
- Plates thickness: 1/2"

**Same Dimensions for Dummy Function**

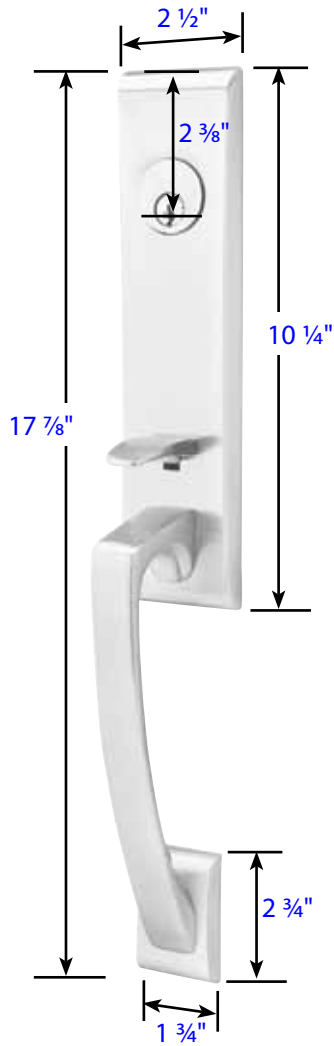


Lausanne Trim Style  
Part # 4819

**Additional Dimensions: (Part # 4819)**

- Exterior Projection is 2 3/4"
- Interior Projection Depends on Handle Style
- Overall Grip thickness: 1"
- Clearance between door & grip is 1 7/16"
- Plates thickness: 1/2"

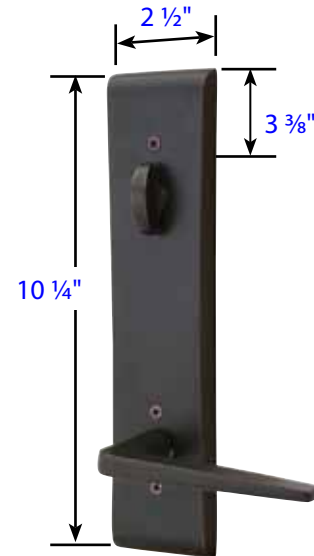
***Same Dimensions for Dummy Function***



Apollo Style  
Part # 4815



Orion Trim Style  
Part # 4816



Standard interior trim  
Part # 4815 & 4816

**Additional Dimensions: (Part # 4815)**

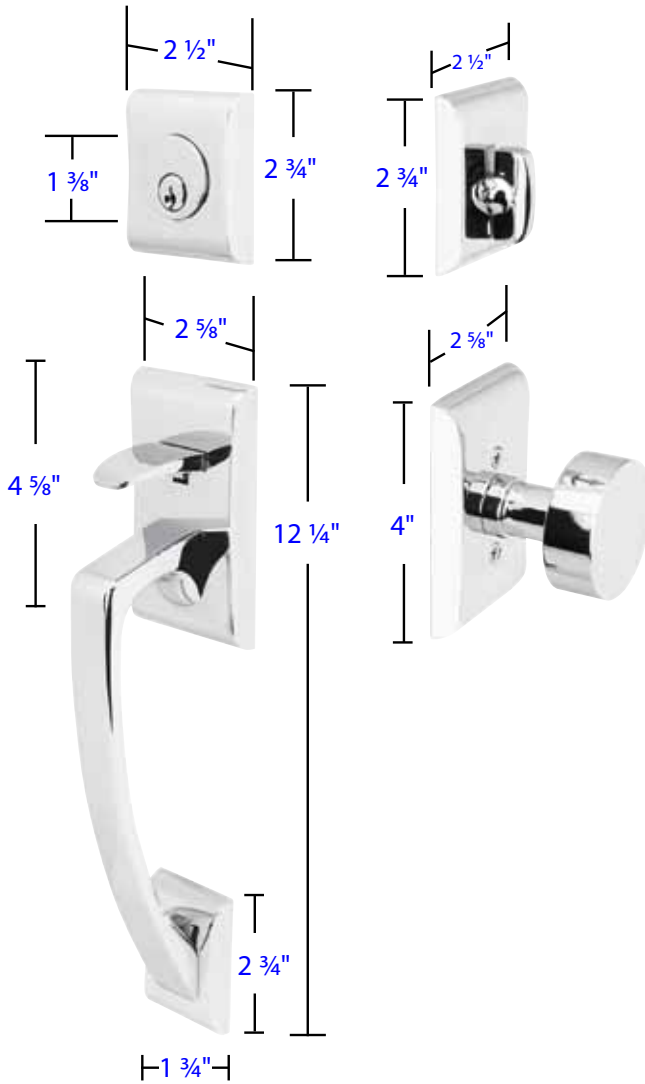
- Exterior Projection is 2 3/4"
- Interior Projection Depends on Handle Style
- Overall Grip thickness: 1"
- Clearance between door & grip is 2 1/4"
- Plates thickness: 1/2"

***Same Dimensions for Dummy Function***

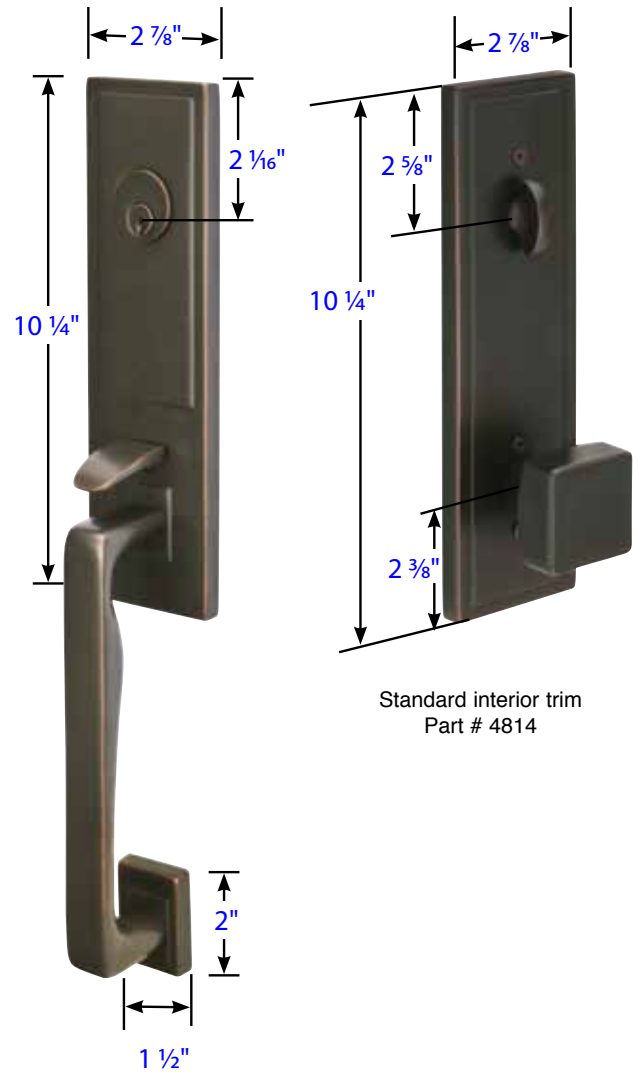
**Additional Dimensions: (Part # 4816)**

- Exterior Projection is 2 3/4"
- Interior Projection Depends on Handle Style
- Overall Grip thickness: 1"
- Clearance between door & grip is 1" - 1 3/4"
- Plates thickness: 1/2"

***Same Dimensions for Dummy Function***



Ares Style  
Part # 4817



Zeus Style  
Part # 4814

Standard interior trim  
Part # 4814

**Additional Dimensions: (Part # 4817)**

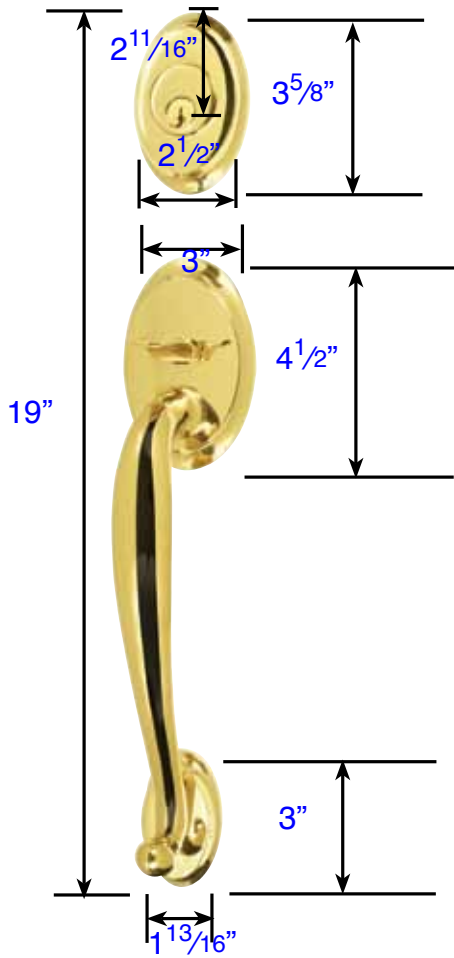
- Exterior Projection is 2 3/4"
- Interior Projection Depends on Handle Style
- Overall Grip thickness: 1 1/16"
- Clearance between door & grip is 1"- 1 3/8"
- Plates thickness: 7/16"

***Same Dimensions for Dummy Function***

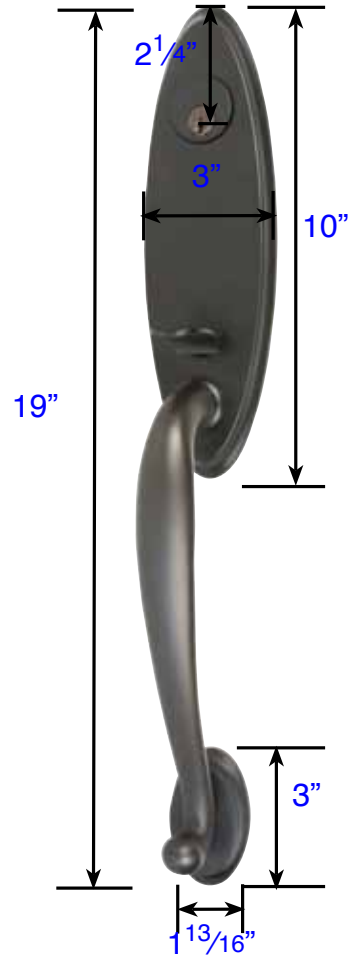
**Additional Dimensions: (Part # 4814)**

- Exterior Projection is 2 1/2"
- Interior Projection Depends on Handle Style
- Overall Grip thickness: 1 1/16"
- Clearance between door & grip is 1"- 1 3/8"
- Plates thickness: 7/16"

***Same Dimensions for Dummy Function***



Saratoga Style  
Part # 4410



Marietta Style  
Part # 4411

**Additional Dimensions: (Part # 4410)**

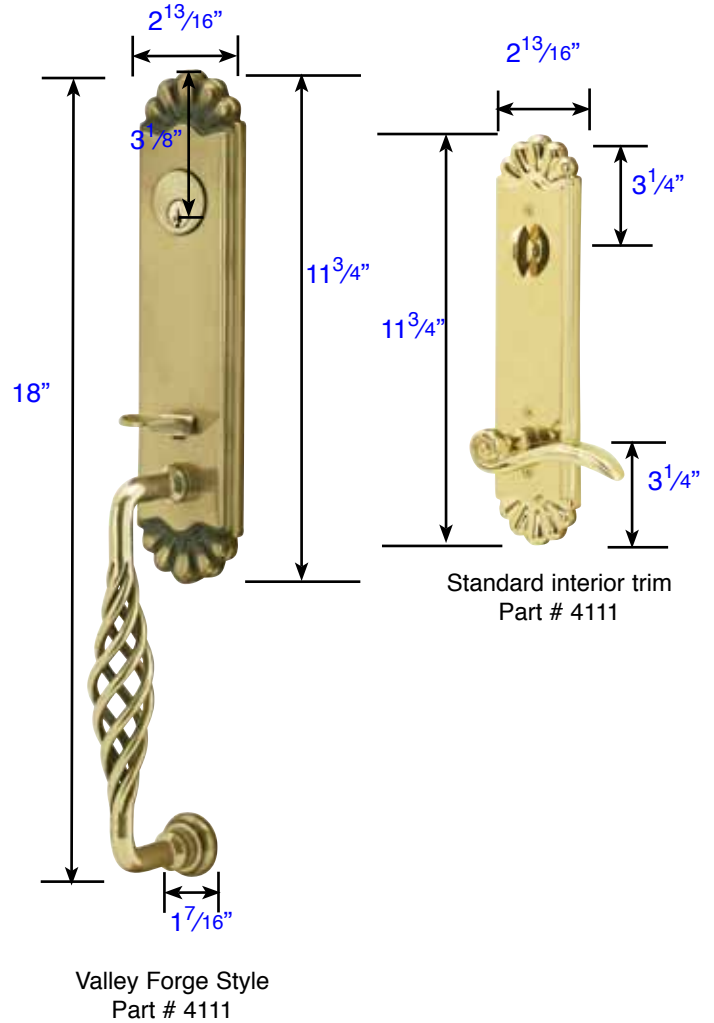
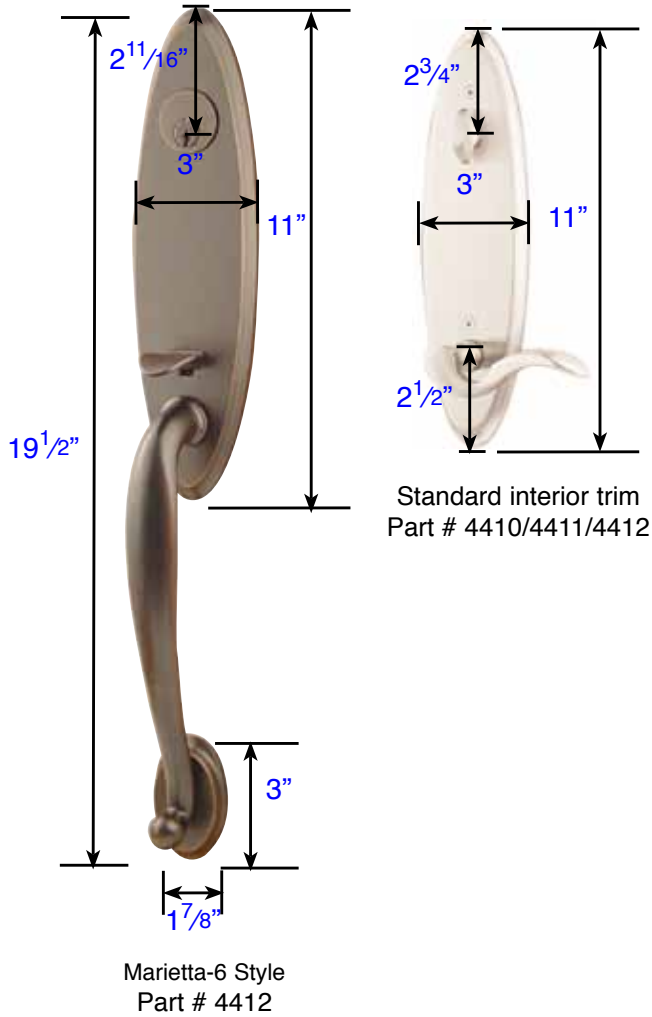
- Exterior Projection is  $2\frac{11}{16}$ "
- Interior Projection Depends on Handle Style
- Overall Grip thickness:  $1\frac{1}{4}$ "
- Clearance between door & grip is  $1\frac{15}{16}$ "
- Standard Interior trim dimensions same as 8450, 8350, 8100
- Plates thickness:  $\frac{7}{16}$ "

***Same Dimensions for Dummy Function***

**Additional Dimensions: (Part # 4411)**

- Exterior Projection is  $2\frac{3}{4}$ "
- Interior Projection Depends on Handle Style
- Overall Grip thickness:  $1\frac{3}{4}$ "
- Clearance between door & grip is 2"
- Plates thickness:  $\frac{1}{2}$ "

***Same Dimensions for Dummy Function***



**Additional Dimensions: (Part # 4412)**

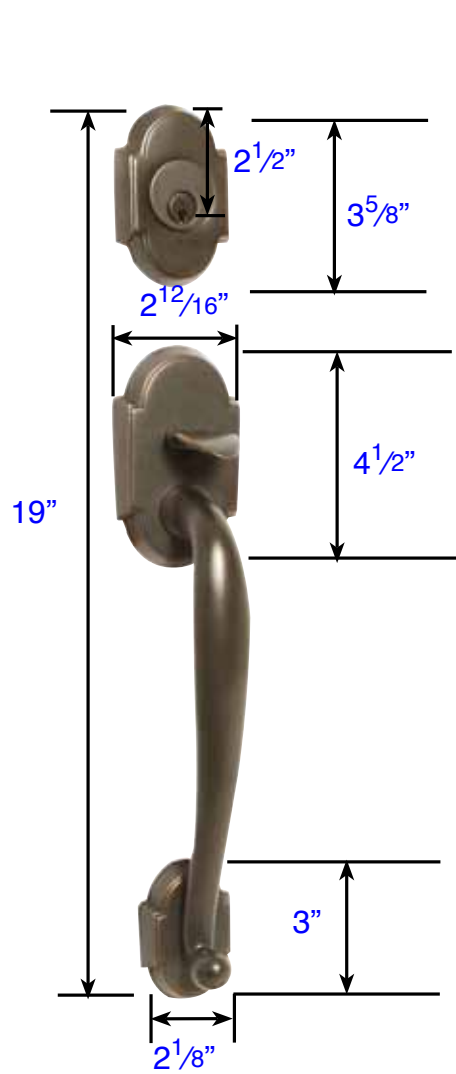
- Exterior Projection is  $2\frac{11}{16}$ "
- Interior Projection Depends on Handle Style
- Overall Grip thickness:  $1\frac{3}{4}$ "
- Clearance between door & grip is 2"
- Plates thickness:  $\frac{7}{16}$ "

**Same Dimensions for Dummy Function**

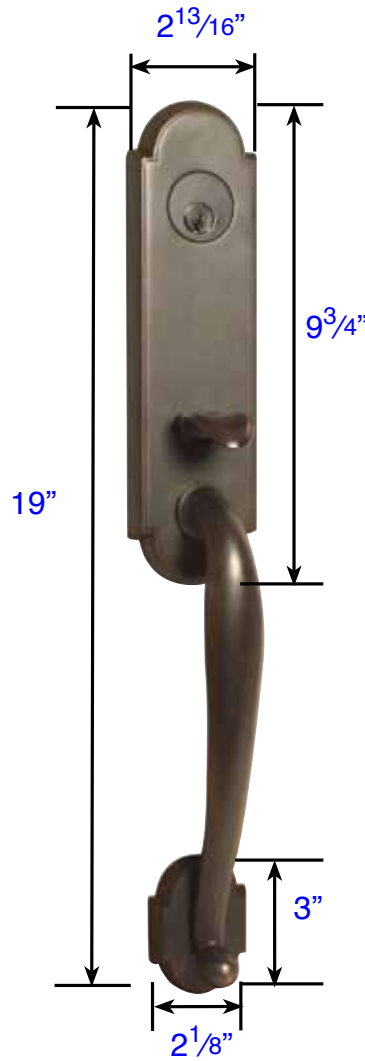
**Additional Dimensions: (Part # 4111)**

- Exterior Projection is 3"
- Interior Projection Depends on Handle Style
- Overall Grip thickness:  $1\frac{7}{16}$ "
- Clearance between door & grip is  $1\frac{1}{4}$ "
- Plates thickness:  $\frac{1}{2}$ "

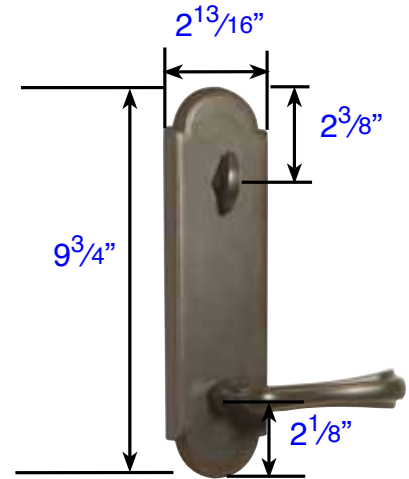
**Same Dimensions for Dummy Function**



Nashville Style  
Part # 4312/4322



Richmond Style  
Part # 4313/4323



Standard interior trim  
Part # 4313

**Additional Dimensions: (Part # 4312/4322)**

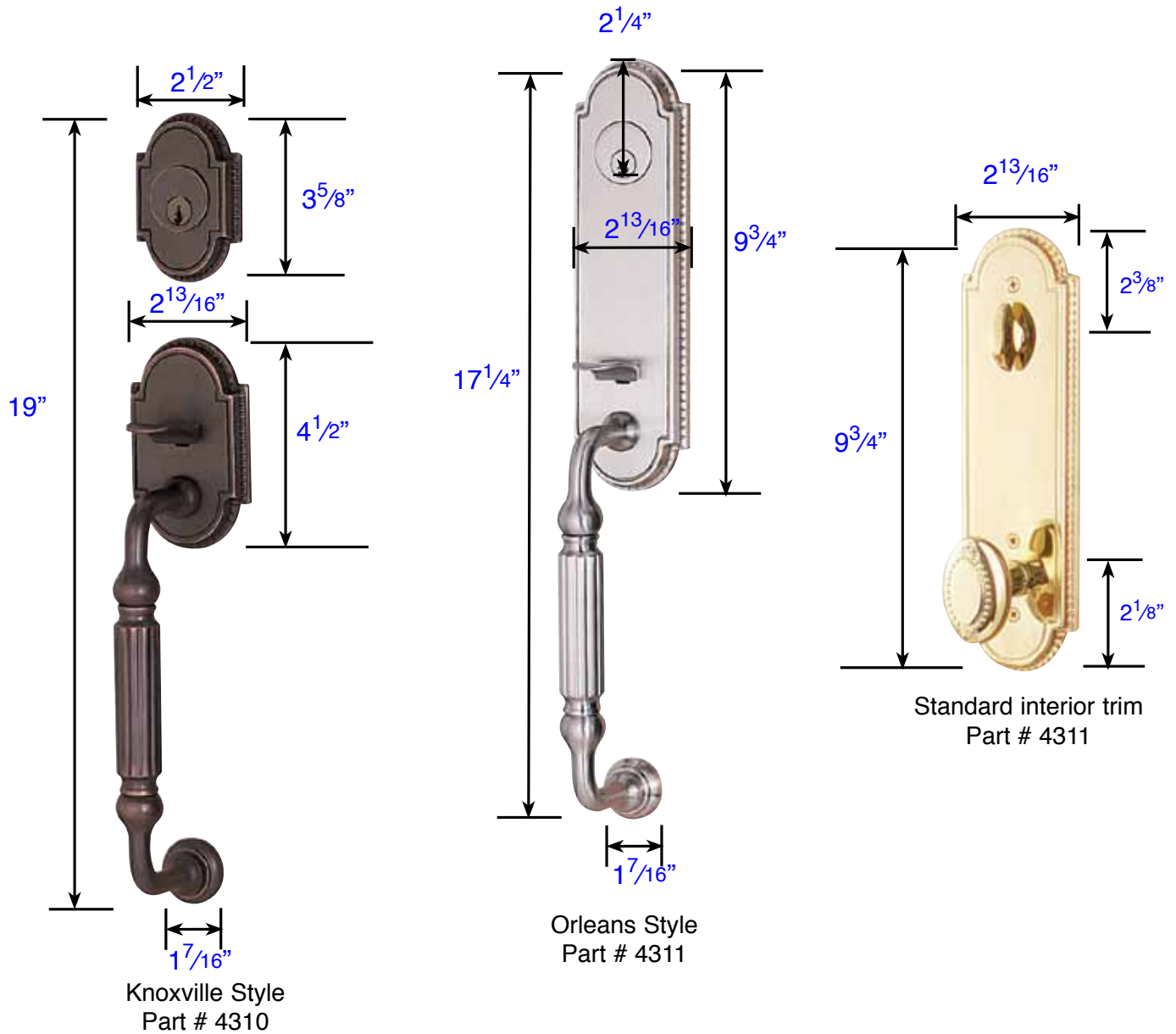
- Exterior Projection is  $2\frac{11}{16}$ "
- Interior Projection Depends on Handle Style
- Overall Grip thickness:  $1\frac{1}{4}$ "
- Clearance between door & grip is  $1\frac{15}{16}$ "
- Standard Interior trim dimensions same as 8108, 8466, 8366
- Plates thickness:  $\frac{1}{2}$ "

**Same Dimensions for Dummy Function**

**Additional Dimensions: (Part # 4313/4323)**

- Exterior Projection is  $2\frac{11}{16}$ "
- Interior Projection Depends on Handle Style
- Overall Grip thickness:  $1\frac{1}{4}$ "
- Clearance between door & grip is 2"
- Plates thickness:  $\frac{1}{2}$ "

**Same Dimensions for Dummy Function**



**Additional Dimensions: (Part # 4310)**

- Exterior Projection is 3"
- Interior Projection Depends on Handle Style
- Overall Grip thickness: 1"
- Clearance between door & grip is 1 1/2"
- Standard Interior trim dimensions same as 8458, 8358, 8108
- Plates thickness: 1/2"

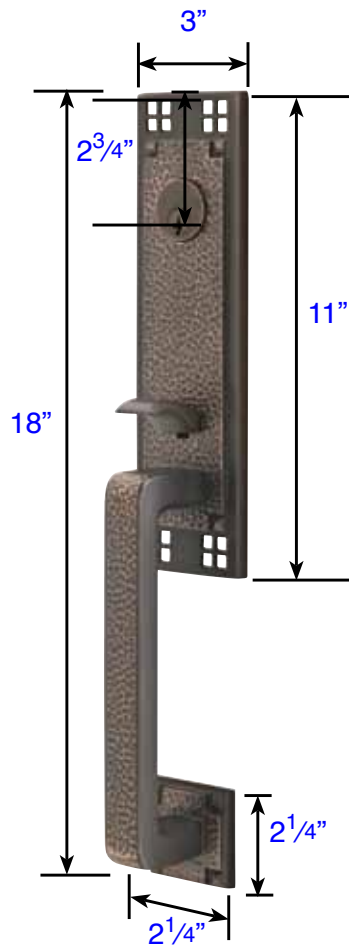
**Same Dimensions for Dummy Function**

**Additional Dimensions: (Part # 4311)**

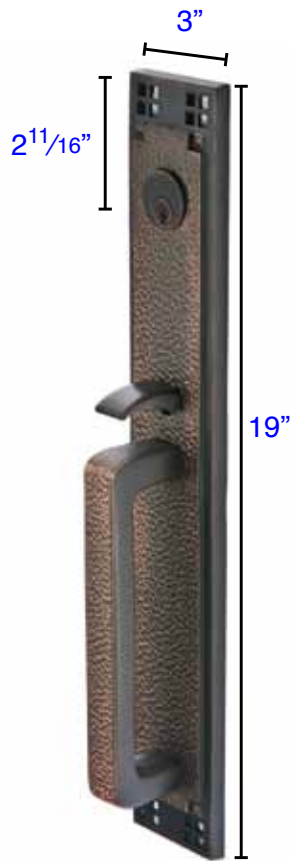
- Exterior Projection is 3"
- Interior Projection Depends on Handle Style
- Overall Grip thickness: 1"
- Clearance between door & grip is 1 1/2"
- Plates thickness: 1/2"

**Same Dimensions for Dummy Function**

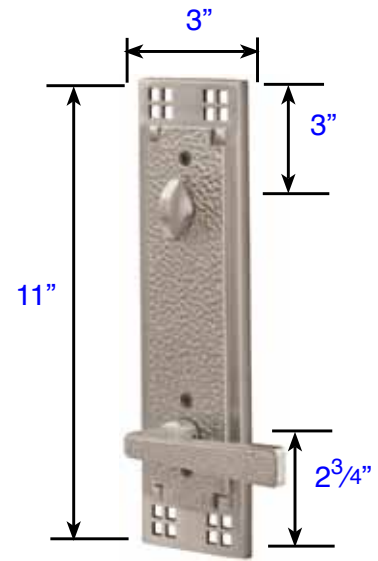




Arts & Crafts Style  
Part # 4811



Arts & Crafts Full Length Style  
Part # 4812

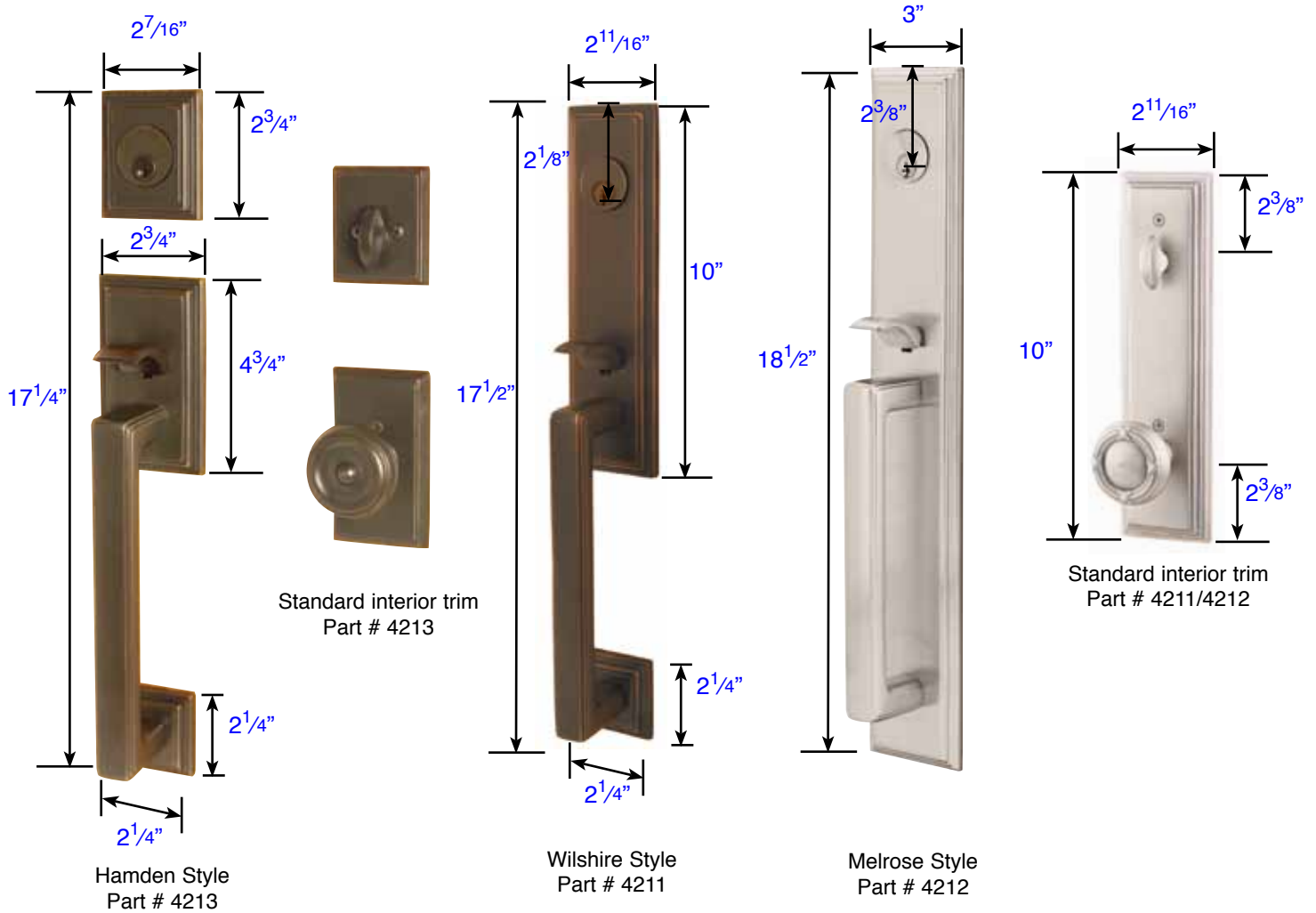


Standard interior trim  
Part # 4811/4812

**Additional Dimensions: (Part # 4811/4812)**

- Exterior Projection is  $2\frac{5}{8}$ "
- Interior Projection Depends on Handle Style
- Overall Grip thickness:  $1\frac{1}{4}$ "
- Clearance between door & grip is  $1\frac{1}{2}$ "
- Plates thickness:  $\frac{1}{2}$ "

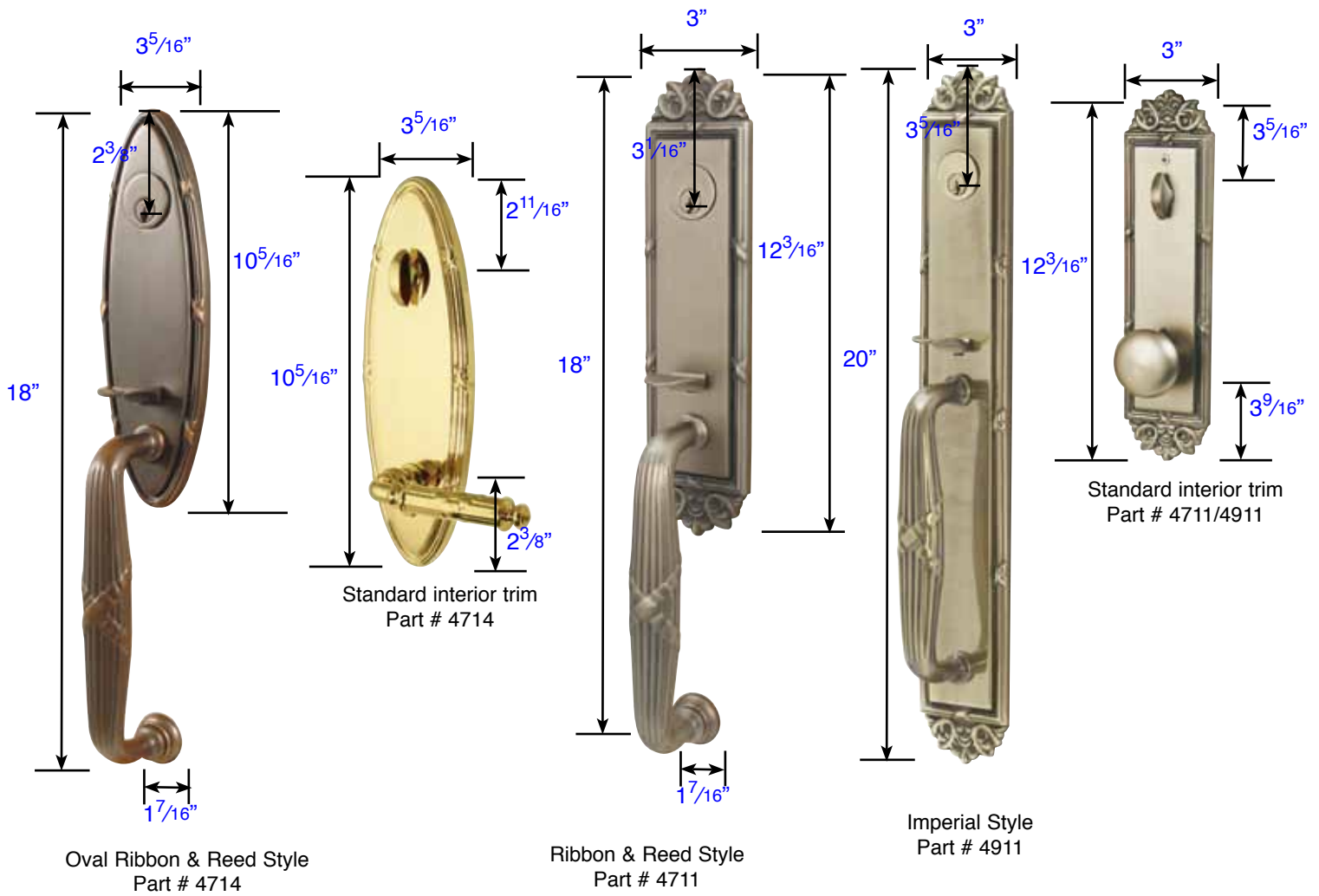
***Same Dimensions for Dummy Function***



**Additional Dimensions: (Part # 4213/4211/4212)**

- Exterior Projection is  $2\frac{5}{8}$ "
- Interior Projection Depends on Handle Style
- Overall Grip thickness: 1"
- Clearance between door & grip is  $1\frac{3}{8}$ "
- Standard Interior trim dimensions same as 8468, 8368, 8121
- Plates thickness:  $\frac{1}{2}$ "

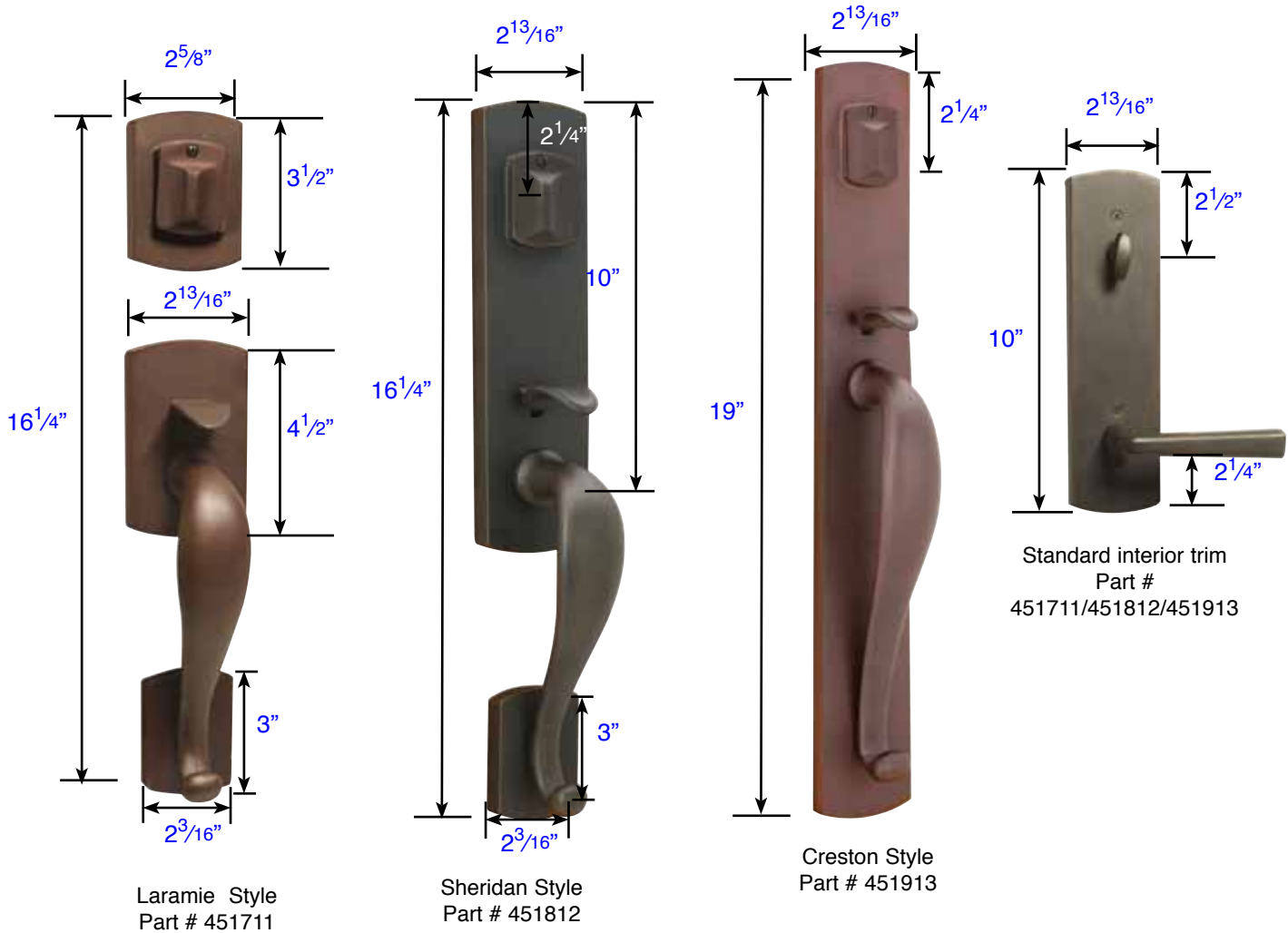
***Same Dimensions for Dummy Function***



**Additional Dimensions: (Part # 4714/4711/4911)**

- Exterior Projection is  $2\frac{11}{16}$ "
- Interior Projection Depends on Handle Style
- Overall Grip thickness:  $1\frac{5}{16}$ "
- Clearance between door & grip is  $1\frac{9}{16}$ "
- Plates thickness:  $\frac{1}{2}$ "

***Same Dimensions for Dummy Function***



**Additional Dimensions: (Part # 451711)**

- Exterior Projection is 3"
- Interior Projection Depends on Handle Style
- Overall Grip thickness: 1<sup>11</sup>/<sub>16</sub>"
- Clearance between door & grip is 1<sup>7</sup>/<sub>8</sub>"
- Standard Interior trim dimensions same as 7100, 8477, 8374
- Plates thickness: 1/2"

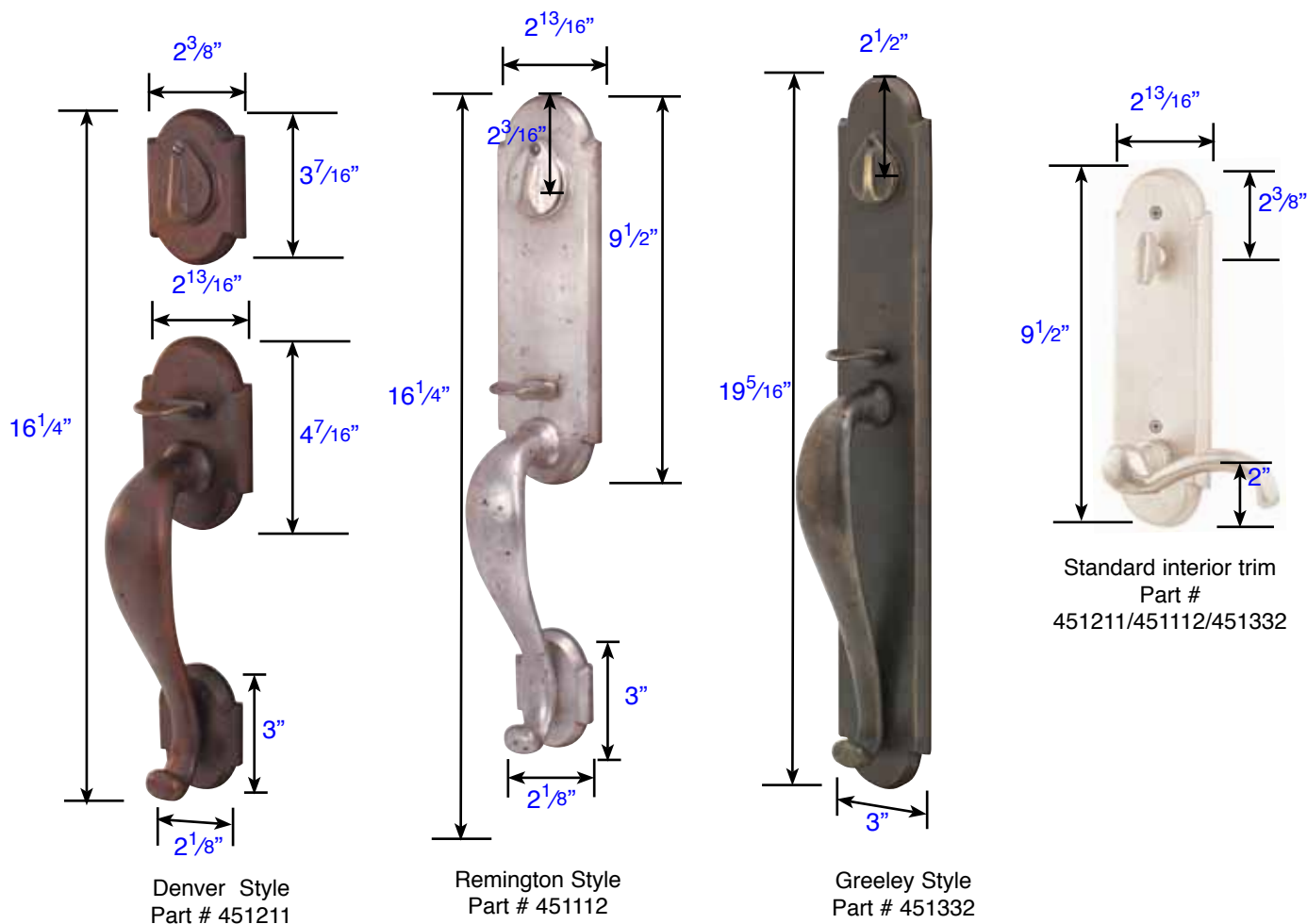
**Same Dimensions for Dummy Function**

**Additional Dimensions: (Part # 451812/451913)**

- Exterior Projection is 3"
- Interior Projection Depends on Handle Style
- Overall Grip thickness: 1<sup>11</sup>/<sub>16</sub>"
- Clearance between door & grip is 1<sup>7</sup>/<sub>8</sub>"
- Plates thickness: 1/2"

**Same Dimensions for Dummy Function**

Dimensions for **Grip-By-Grip Entrance** are the same as the Exterior Trim of standard grip handlesets.



**Additional Dimensions: (Part # 451211)**

- Exterior Projection is 3"
- Interior Projection Depends on Handle Style
- Overall Grip thickness: 1<sup>11</sup>/<sub>16</sub>"
- Clearance between door & grip is 1<sup>7</sup>/<sub>8</sub>"
- Standard Interior trim dimensions same as 8457, 8357, 7108
- Plates thickness: 1/2"

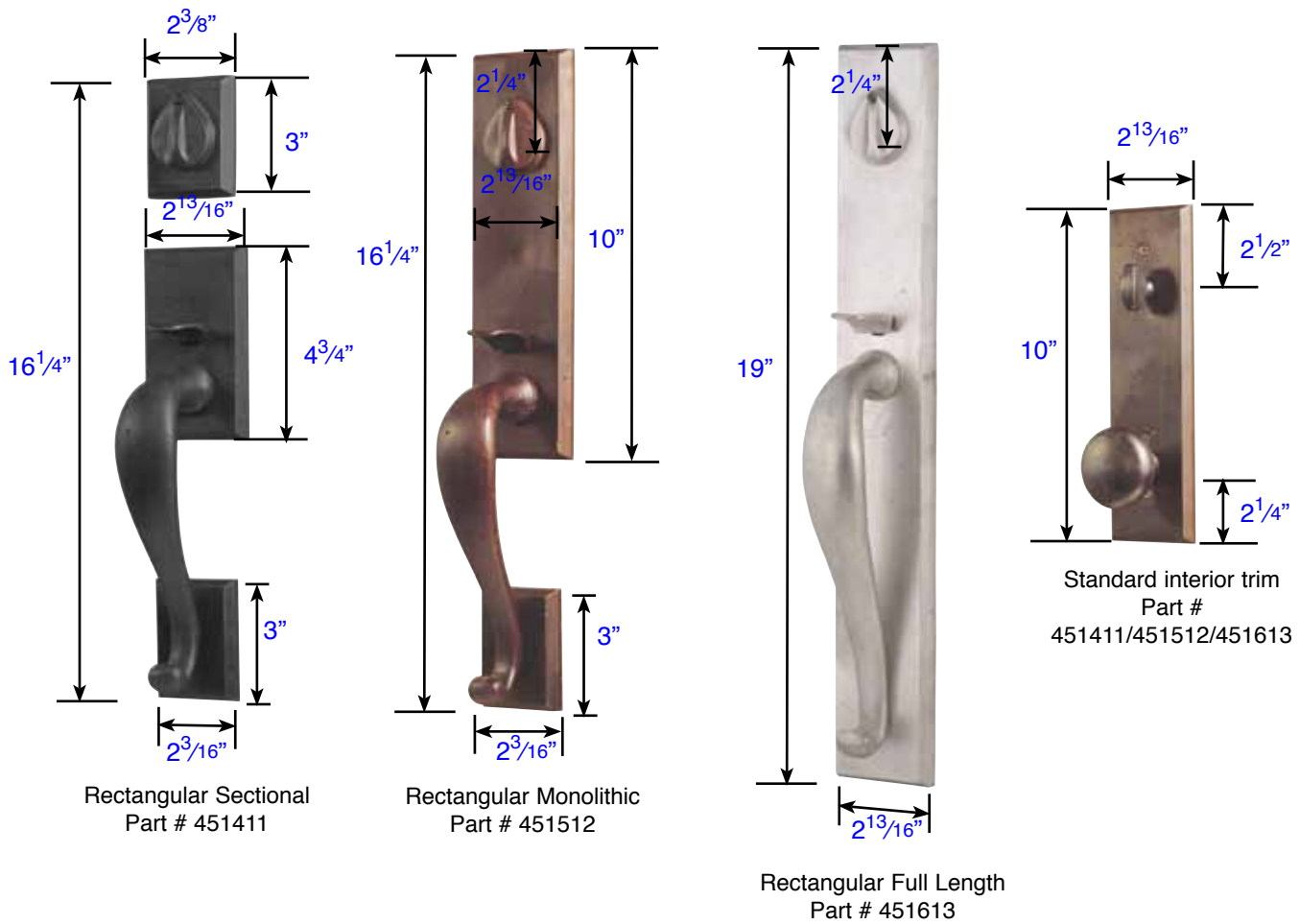
**Same Dimensions for Dummy Function**

**Additional Dimensions: (Part # 451112/451332)**

- Exterior Projection is 3"
- Interior Projection Depends on Handle Style
- Overall Grip thickness: 1<sup>11</sup>/<sub>16</sub>"
- Clearance between door & grip is 1<sup>7</sup>/<sub>8</sub>"
- Plates thickness: 1/2"

**Same Dimensions for Dummy Function**

Dimensions for **Grip-By-Grip Entrance** are the same as the Exterior Trim of standard grip handlesets.



**Additional Dimensions: (Part # 451411)**

- Exterior Projection is 3"
- Interior Projection Depends on Handle Style
- Overall Grip thickness: 1 1/16"
- Clearance between door & grip is 1 7/8"
- Standard Interior trim dimensions same as 8465, 8365, 7104
- Plates thickness: 1/2"

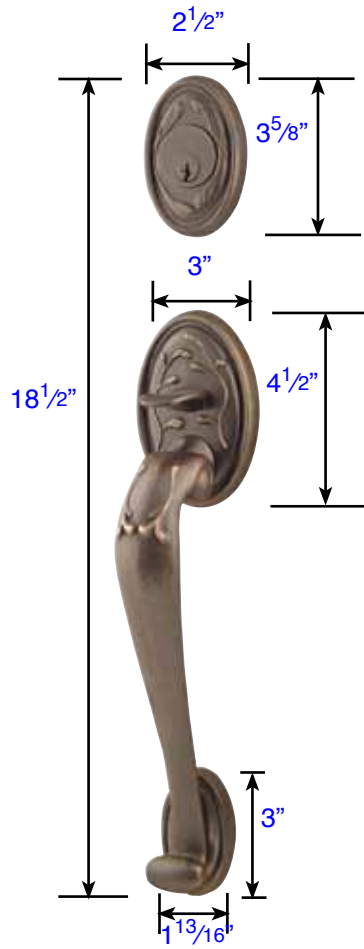
**Same Dimensions for Dummy Function**

**Additional Dimensions: (Part # 451512/451613)**

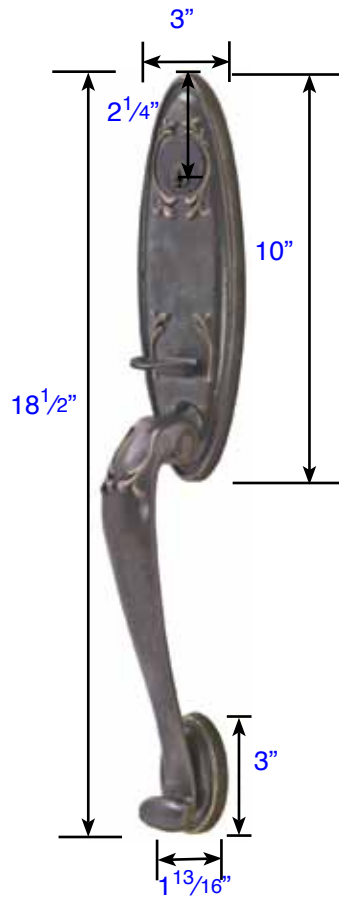
- Exterior Projection is 3"
- Interior Projection Depends on Handle Style
- Overall Grip thickness: 1 1/16"
- Clearance between door & grip is 1 7/8"
- Plates thickness: 1/2"

**Same Dimensions for Dummy Function**

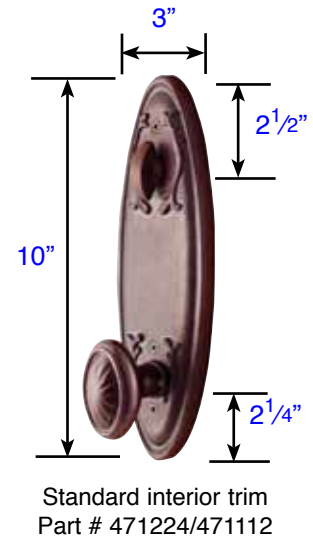
Dimensions for **Grip-By-Grip Entrance** are the same as the Exterior Trim of standard grip handlesets.



Tuscany Sectional Style  
Part # 471224



Tuscany Style  
Door Prep 5 1/2" Center to Center  
Part # 471112



Standard interior trim  
Part # 471224/471112

**Additional Dimensions: (Part # 471224)**

- Exterior Projection is 3<sup>3</sup>/<sub>32</sub>"
- Interior Projection Depends on Handle Style
- Overall Grip thickness: 1<sup>1</sup>/<sub>16</sub>"
- Clearance between door & grip is 2<sup>3</sup>/<sub>8</sub>"
- Standard Interior trim dimensions same as 8456, 8356, 71012
- Plates thickness: 1/2"

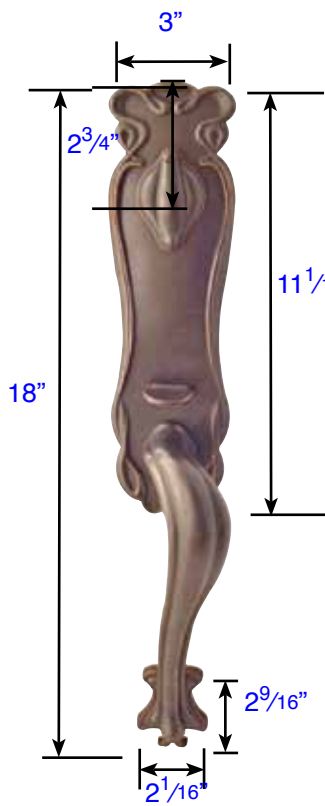
**Same Dimensions for Dummy Function**

**Additional Dimensions: (Part # 471112)**

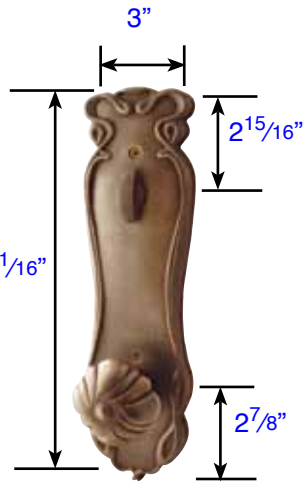
- Exterior Projection is 3<sup>3</sup>/<sub>32</sub>"
- Interior Projection Depends on Handle Style
- Overall Grip thickness: 1"
- Clearance between door & grip is 2<sup>3</sup>/<sub>8</sub>"
- Plates thickness: 1/2"

**Same Dimensions for Dummy Function**

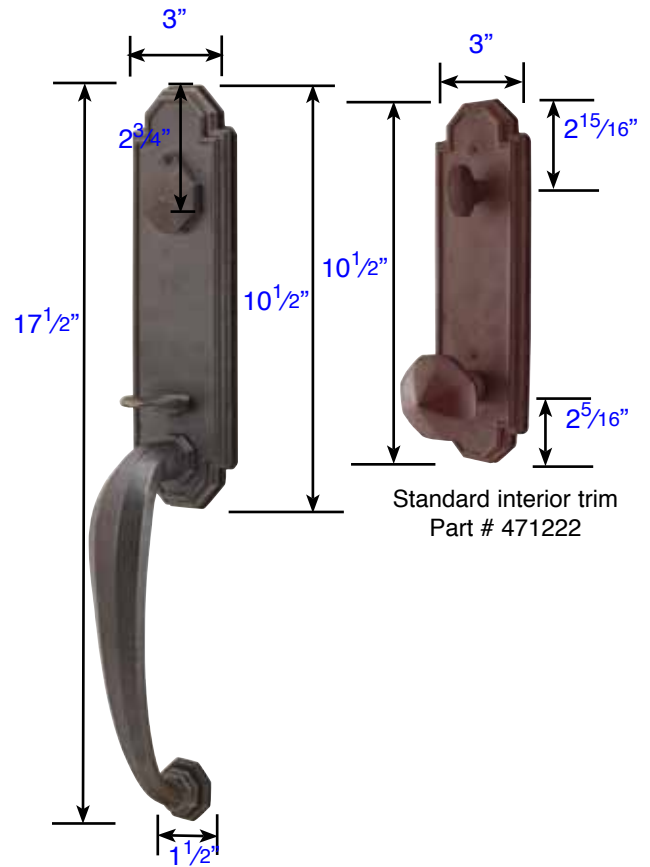
Dimensions for **Grip-By-Grip Entrance** are the same as the Exterior Trim of standard grip handlesets.



Art Nouveau Style  
Right Hand Grip  
Door Prep 5 1/2" Center to Center  
Part # 471333



Standard interior trim  
Part # 471333



Octagon Style  
Door Prep 5 1/2" Center to Center  
Part # 471222

Standard interior trim  
Part # 471222

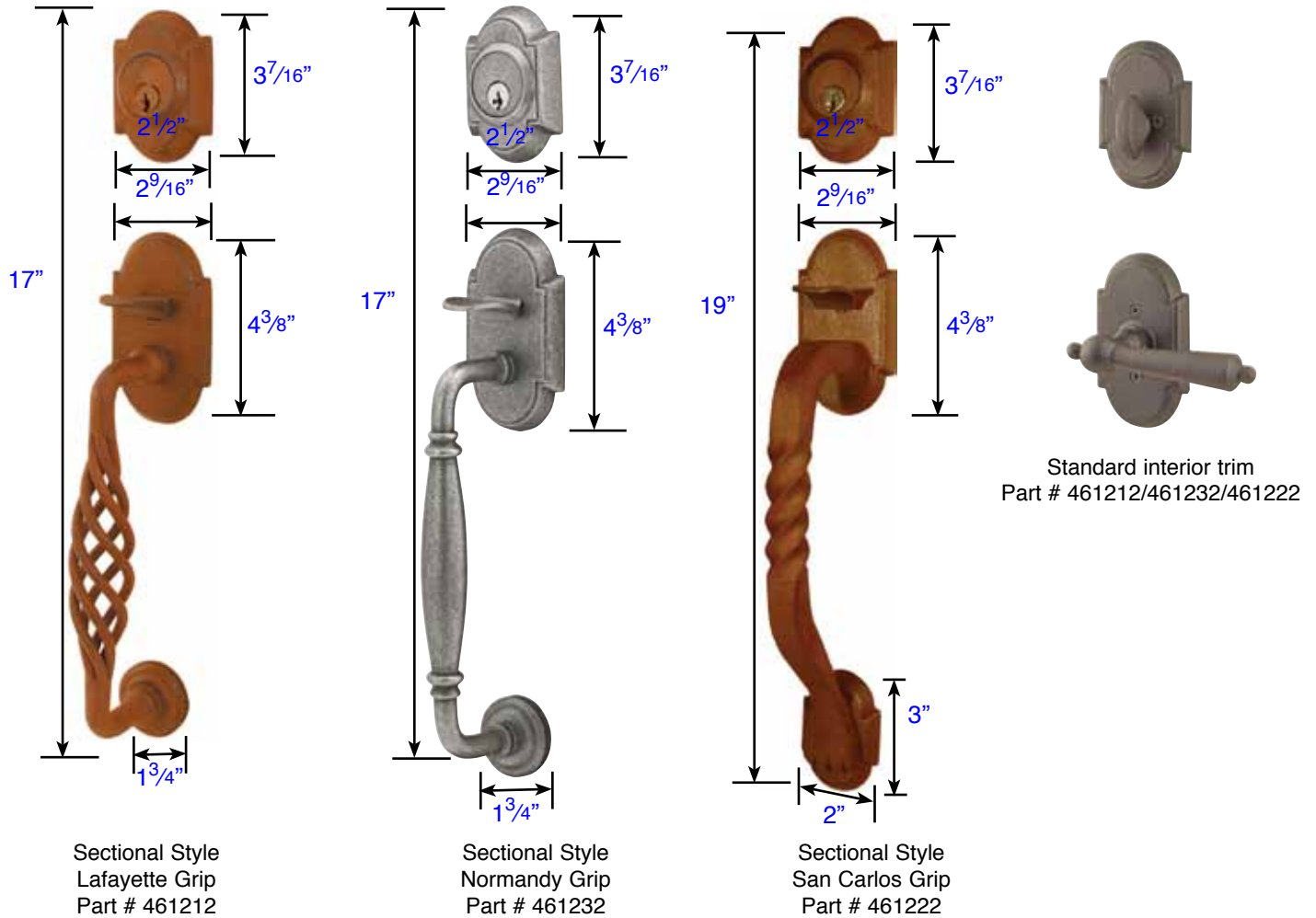
**Additional Dimensions: (Part # 471333/471222)**

- Exterior Projection is 3 1/8"
- Interior Projection Depends on Handle Style
- Overall Grip thickness: 1 3/4"
- Clearance between door & grip is 1 3/4"
- Plates thickness: 1/2"

***Same Dimensions for Dummy Function***

Dimensions for ***Grip-By-Grip Entrance*** are the same as the Exterior Trim of standard grip handlesets.





Sectional Style  
Lafayette Grip  
Part # 461212

Sectional Style  
Normandy Grip  
Part # 461232

Sectional Style  
San Carlos Grip  
Part # 461222

Standard interior trim  
Part # 461212/461232/461222

**Additional Dimensions: (Part # 461212/461232)**

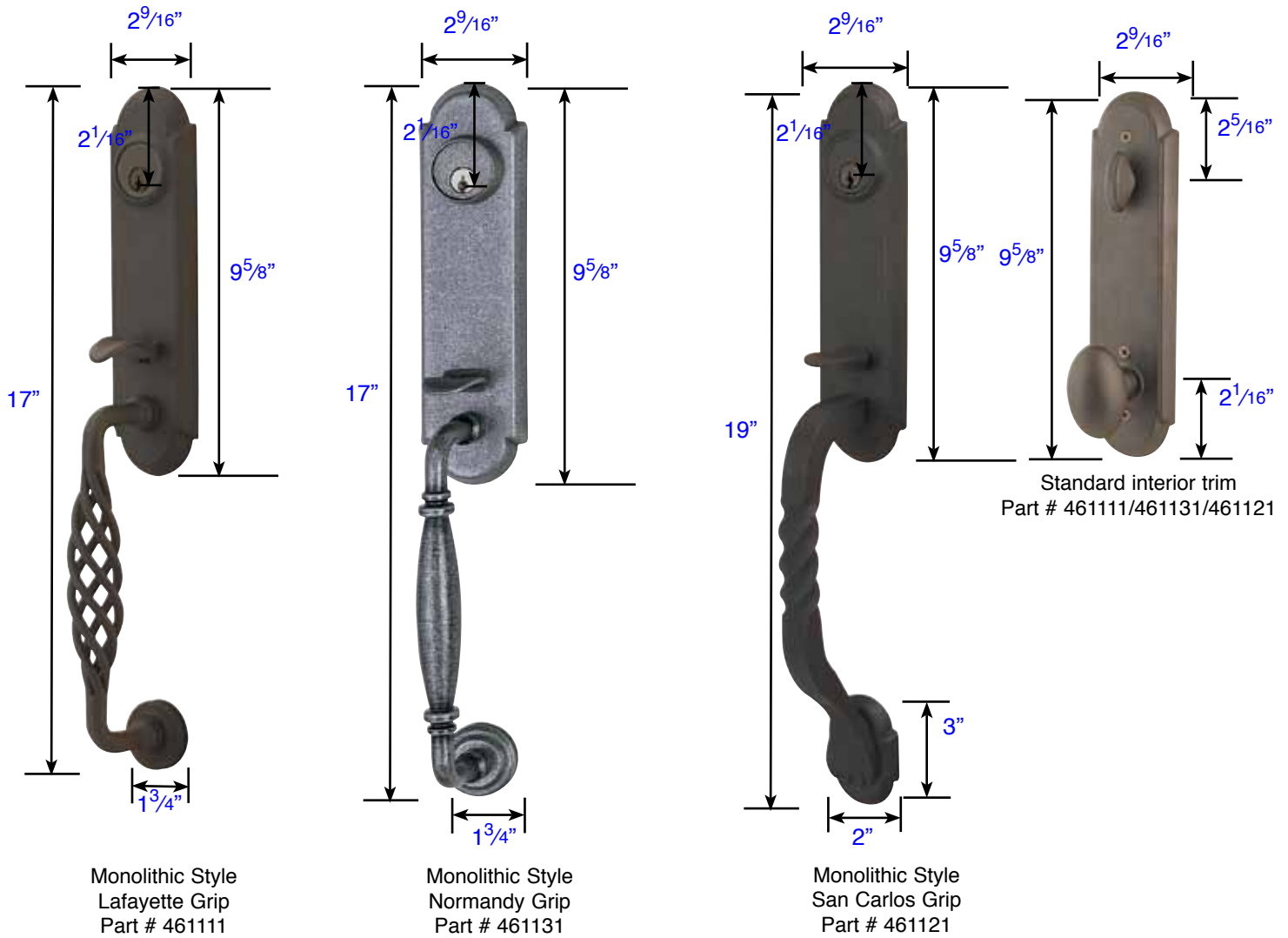
- Exterior Projection is 3"
- Interior Projection Depends on Handle Style
- Overall Grip thickness: 3/4"
- Clearance between door & grip is 1 5/8"
- Standard Interior trim dimensions same as 8451, 8361, 7101
- Plates thickness: 1/2"

**Same Dimensions for Dummy Function**

**Additional Dimensions: (Part # 461222)**

- Exterior Projection is 3 1/2"
- Interior Projection Depends on Handle Style
- Overall Grip thickness: 3/4"
- Clearance between door & grip is 2"
- Standard Interior trim dimensions same as 8451, 8361, 7101
- Plates thickness: 1/2"

**Same Dimensions for Dummy Function**



Monolithic Style  
Lafayette Grip  
Part # 461111

Monolithic Style  
Normandy Grip  
Part # 461131

Monolithic Style  
San Carlos Grip  
Part # 461121

Standard interior trim  
Part # 461111/461131/461121

**Additional Dimensions: (Part # 461111/461131)**

- Exterior Projection is 3"
- Interior Projection Depends on Handle Style
- Overall Grip thickness: 3/4"
- Clearance between door & grip is 1 5/8"
- Interior trim same as 8451, 8361, 7101
- Plates thickness: 1/2"

**Same Dimensions for Dummy Function**

**Additional Dimensions: (Part # 461121)**

- Exterior Projection is 3 1/2"
- Interior Projection Depends on Handle Style
- Overall Grip thickness: 3/4"
- Clearance between door & grip is 2"
- Interior trim same as 8451, 8361, 7101
- Plates thickness: 1/2"

**Same Dimensions for Dummy Function**

### Brass Tubular Entryset Sectional, Single Cylinder

Saratoga (4410), Knoxville (4310), Hamden (4213), Nashville (4312)

<ul style="list-style-type: none"> <li>• Standard Door Thickness: 1<sup>3</sup>/<sub>4</sub>" - 2<sup>1</sup>/<sub>8</sub>"</li> <li>Standard Components: <ul style="list-style-type: none"> <li>• 1<sup>1</sup>/<sub>2</sub>" Rosette Screws</li> <li>• Single Cylinder Tailpiece</li> <li>• Outside Entry Spindle</li> <li>• Inside Passage Half Spindle</li> <li>• 2<sup>1</sup>/<sub>4</sub>" Deadbolt Mounting Screws</li> <li>• Full-Lip Strike Plate</li> <li>• Deadbolt Strike Plate</li> </ul> </li> </ul>	<ul style="list-style-type: none"> <li>• <b>Extended</b> Door Thickness: 2<sup>1</sup>/<sub>4</sub>" - 2<sup>5</sup>/<sub>8</sub>"</li> <li>Extended Components: <ul style="list-style-type: none"> <li>• 2" Rosette Screws</li> <li>• Long Single Cylinder Tailpiece</li> <li>• Long Outside Entry Spindle</li> <li>• Long Inside Passage Half Spindle</li> <li>• 3" Deadbolt Mounting Screws</li> <li>• Spindle Extensions</li> <li>• Extended Full-Lip Strike Plate</li> <li>• Deadbolt Strike Plate</li> </ul> </li> </ul>	<ul style="list-style-type: none"> <li>• <b>Extended</b> Door Thickness: 2<sup>5</sup>/<sub>8</sub>" - 3"</li> <li>Extended Components: <ul style="list-style-type: none"> <li>• 2<sup>1</sup>/<sub>2</sub>" Rosette Screws</li> <li>• Extra Long Single Cylinder Tailpiece</li> <li>• Long Outside Entry Spindle</li> <li>• Extra Long Inside Passage Half Spindle</li> <li>• 3<sup>1</sup>/<sub>2</sub>" Deadbolt Mounting Screws</li> <li>• Spindle Extensions</li> <li>• Extended Full-Lip Strike Plate</li> <li>• Deadbolt Strike Plate</li> </ul> </li> </ul>
---	--	---

### Brass Tubular Entryset Sectional, Double Cylinder

Saratoga (4420), Knoxville (4320), Hamden (4223), Nashville (4322)

<ul style="list-style-type: none"> <li>• Standard Door Thickness: 1<sup>5</sup>/<sub>8</sub>" - 2<sup>1</sup>/<sub>8</sub>"</li> <li>Standard Components: <ul style="list-style-type: none"> <li>• 1<sup>1</sup>/<sub>2</sub>" Rosette Screws</li> <li>• Double Cylinder Tailpiece</li> <li>• Outside Entry Spindle</li> <li>• Inside Passage Half Spindle</li> <li>• 2<sup>1</sup>/<sub>4</sub>" &amp; 2<sup>1</sup>/<sub>2</sub>" Deadbolt Mounting Screws</li> <li>• Full-Lip Strike Plate</li> <li>• Deadbolt Strike Plate</li> </ul> </li> </ul>	<ul style="list-style-type: none"> <li>• <b>Extended</b> Door Thickness: 2<sup>1</sup>/<sub>4</sub>" - 2<sup>5</sup>/<sub>8</sub>"</li> <li>Extended Components: <ul style="list-style-type: none"> <li>• 2" Rosette Screws</li> <li>• Long Double Cylinder Tailpiece</li> <li>• Long Outside Entry Spindle</li> <li>• Long Inside Passage Half Spindle</li> <li>• 3" Deadbolt Mounting Screws</li> <li>• Spindle Extensions</li> <li>• Extended Full-Lip Strike Plate</li> <li>• Deadbolt Strike Plate</li> </ul> </li> </ul>	<ul style="list-style-type: none"> <li>• <b>Extended</b> Door Thickness: 2<sup>5</sup>/<sub>8</sub>" - 2<sup>7</sup>/<sub>8</sub>"</li> <li>Extended Components: <ul style="list-style-type: none"> <li>• 2<sup>1</sup>/<sub>2</sub>" Rosette Screws</li> <li>• Extra Long Double Cylinder Tailpiece</li> <li>• Long Outside Entry Spindle</li> <li>• Extra Long Inside Passage Half Spindle</li> <li>• 3<sup>1</sup>/<sub>2</sub>" Deadbolt Mounting Screws</li> <li>• Spindle Extensions</li> <li>• Extended Full-Lip Strike Plate</li> <li>• Deadbolt Strike Plate</li> </ul> </li> </ul>
---	--	--

\* Part # DB4-COLLAR32 Available for 1<sup>3</sup>/<sub>8</sub>" Thick Doors

### Brass Tubular Entryset Monolithic, Single Cylinder

Marietta (4411), Marietta 6" (4412), Orleans (4311), Arts & Crafts (4811), Valley Forge (4111), Wilshire (4211), Melrose (4212), Oval Ribbon & Reed (4714), Ribbon & Reed (4711), Imperial (4911), Zeus (4814), Richmond (4313)

<ul style="list-style-type: none"> <li>• Standard Door Thickness: 1<sup>3</sup>/<sub>4</sub>" - 2<sup>1</sup>/<sub>8</sub>"</li> <li>Standard Components: <ul style="list-style-type: none"> <li>• 1<sup>1</sup>/<sub>2</sub>" Rosette Screws</li> <li>• Single Cylinder Tailpiece</li> <li>• Outside Entry Spindle</li> <li>• Inside Passage Half Spindle</li> <li>• 2<sup>1</sup>/<sub>4</sub>" Deadbolt Mounting Screws</li> <li>• Full-Lip Strike Plate</li> <li>• Deadbolt Strike Plate</li> </ul> </li> </ul>	<ul style="list-style-type: none"> <li>• <b>Extended</b> Door Thickness: 2<sup>1</sup>/<sub>4</sub>" - 2<sup>1</sup>/<sub>2</sub>"</li> <li>Extended Components: <ul style="list-style-type: none"> <li>• 2" Rosette Screws</li> <li>• Long Single Cylinder Tailpiece</li> <li>• Long Outside Entry Spindle</li> <li>• Long Inside Passage Half Spindle</li> <li>• 3" Deadbolt Mounting Screws</li> <li>• Spindle Extensions</li> <li>• Extended Full-Lip Strike Plate</li> <li>• Deadbolt Strike Plate</li> </ul> </li> </ul>	<ul style="list-style-type: none"> <li>• <b>Extended</b> Door Thickness: 2<sup>1</sup>/<sub>2</sub>" - 3"</li> <li>Extended Components: <ul style="list-style-type: none"> <li>• 2<sup>1</sup>/<sub>2</sub>" Rosette Screws</li> <li>• Extra Long Single Cylinder Tailpiece</li> <li>• Long Outside Entry Spindle</li> <li>• Extra Long Inside Passage Half Spindle</li> <li>• 3" Deadbolt Mounting Screws</li> <li>• Spindle Extensions</li> <li>• Extended Full-Lip Strike Plate</li> <li>• Deadbolt Strike Plate</li> </ul> </li> </ul>
---	--	--

### Brass Tubular Entryset Monolithic, Double Cylinder

Marietta (4421), Marietta 6" (4422), Orleans (4321), Arts & Crafts (4821), Valley Forge (4121), Wilshire (4221), Melrose (4212), Oval Ribbon & Reed (4724), Ribbon & Reed (4721), Imperial (4921), Zeus (4824), Richmond (4323)

<ul style="list-style-type: none"> <li>• Standard Door Thickness: 1<sup>3</sup>/<sub>4</sub>" - 2"</li> <li>Standard Components: <ul style="list-style-type: none"> <li>• 1<sup>1</sup>/<sub>2</sub>" Rosette Screws</li> <li>• Double Cylinder Tailpiece</li> <li>• Outside Entry Spindle</li> <li>• Inside Passage Half Spindle</li> <li>• 2<sup>1</sup>/<sub>4</sub>" Deadbolt Mounting Screws</li> <li>• Full-Lip Strike Plate</li> <li>• Deadbolt Strike Plate</li> </ul> </li> </ul>	<ul style="list-style-type: none"> <li>• <b>Extended</b> Door Thickness: 2" - 2<sup>5</sup>/<sub>8</sub>"</li> <li>Extended Components: <ul style="list-style-type: none"> <li>• 2" Rosette Screws</li> <li>• Long Double Cylinder Tailpiece</li> <li>• Long Outside Entry Spindle</li> <li>• Long Inside Passage Half Spindle</li> <li>• 3" Deadbolt Mounting Screws</li> <li>• Spindle Extensions</li> <li>• Extended Full-Lip Strike Plate</li> <li>• Deadbolt Strike Plate</li> </ul> </li> </ul>	<ul style="list-style-type: none"> <li>• <b>Extended</b> Door Thickness: 2<sup>5</sup>/<sub>8</sub>" - 2<sup>7</sup>/<sub>8</sub>"</li> <li>Extended Components: <ul style="list-style-type: none"> <li>• 2<sup>1</sup>/<sub>2</sub>" Rosette Screws</li> <li>• Long Double Cylinder Tailpiece</li> <li>• Long Outside Entry Spindle</li> <li>• Extra Long Inside Passage Half Spindle</li> <li>• 3<sup>1</sup>/<sub>2</sub>" Deadbolt Mounting Screws</li> <li>• Spindle Extensions</li> <li>• Extended Full-Lip Strike Plate</li> <li>• Deadbolt Strike Plate</li> </ul> </li> </ul>
--	---	--

\* Part # DB4-COLLAR32 Available for 1<sup>3</sup>/<sub>8</sub>" Thick Doors

**Cast Bronze Tubular Entryset Sectional, Single Cylinder**

Denver (451211), Rectangular Sectional (451411), Tuscany Sectional (471224), Laramie (451711)

<p>• Standard Door Thickness: 1<sup>1</sup>/<sub>2</sub>"- 2"</p> <p>Standard Components:</p> <ul style="list-style-type: none"> <li>• 1<sup>1</sup>/<sub>2</sub>" &amp; 2" Rosette Screws</li> <li>• Single Cylinder Tailpiece</li> <li>• Outside Entry Spindle</li> <li>• Inside Passage Half Spindle</li> <li>• 2<sup>1</sup>/<sub>2</sub>" Deadbolt Mounting Screws</li> <li>• Full-Lip Strike Plate</li> <li>• Deadbolt Strike Plate</li> </ul>	<p>• <i>Extended</i> Door Thickness: 2"- 2<sup>1</sup>/<sub>2</sub>"</p> <p>Extended Components:</p> <ul style="list-style-type: none"> <li>• 2" Rosette Screws</li> <li>• Long Single Cylinder Tailpiece</li> <li>• Long Outside Entry Spindle</li> <li>• Long Inside Passage Half Spindle</li> <li>• 3" Deadbolt Mounting Screws</li> <li>• Spindle Extensions</li> <li>• Extended Full-Lip Strike Plate</li> <li>• Deadbolt Strike Plate</li> </ul>	<p>• <i>Extended</i> Door Thickness: 2<sup>1</sup>/<sub>2</sub>"- 2<sup>7</sup>/<sub>8</sub>"</p> <p>Extended Components:</p> <ul style="list-style-type: none"> <li>• 2<sup>1</sup>/<sub>2</sub>" Rosette Screws</li> <li>• Extra Long Single Cylinder Tailpiece</li> <li>• Long Outside Entry Spindle</li> <li>• Extra Long Inside Passage Half Spindle</li> <li>• 3<sup>1</sup>/<sub>2</sub>" Deadbolt Mounting Screws</li> <li>• Spindle Extensions</li> <li>• Extended Full-Lip Strike Plate</li> <li>• Deadbolt Strike Plate</li> </ul>
--	--	---

**Cast Bronze Tubular Entryset Sectional, Double Cylinder**

Denver (452211), Rectangular Sectional (452411), Tuscany Sectional (472224), Laramie (452711)

<p>• Standard Door Thickness: 1<sup>3</sup>/<sub>4</sub>"- 2"</p> <p>Standard Components:</p> <ul style="list-style-type: none"> <li>• 1<sup>1</sup>/<sub>2</sub>" Rosette Screws</li> <li>• Double Cylinder Tailpiece</li> <li>• Outside Entry Spindle</li> <li>• Inside Passage Half Spindle</li> <li>• 2<sup>1</sup>/<sub>2</sub>" Deadbolt Mounting Screws</li> <li>• Full-Lip Strike Plate</li> <li>• Deadbolt Strike Plate</li> </ul>	<p>• <i>Extended</i> Door Thickness: 2<sup>1</sup>/<sub>4</sub>"- 2<sup>5</sup>/<sub>8</sub>"</p> <p>Extended Components:</p> <ul style="list-style-type: none"> <li>• 2" &amp; 2<sup>1</sup>/<sub>2</sub>" Rosette Screws</li> <li>• Long Double Cylinder Tailpiece</li> <li>• Long Outside Entry Spindle</li> <li>• Long Inside Passage Half Spindle</li> <li>• 3" &amp; 3<sup>1</sup>/<sub>2</sub>" Deadbolt Mounting Screws</li> <li>• Spindle Extensions</li> <li>• Extended Full-Lip Strike Plate</li> <li>• Deadbolt Strike Plate</li> </ul>
---	---

**Cast Bronze Tubular Entryset Monolithic, Single Cylinder**

Remington (451112), Greeley (451332), Rectangular Monolithic (451512), Sheridan (451812)  
Rectangular Full Length (451613), Tuscany (471112), Art Nouveau (471333), Octagon (471222), Creston (451913)

<p>• Standard Door Thickness: 1<sup>1</sup>/<sub>2</sub>"- 2"</p> <p>Standard Components:</p> <ul style="list-style-type: none"> <li>• 1<sup>1</sup>/<sub>2</sub>" &amp; 2" Rosette Screws</li> <li>• Single Cylinder Tailpiece</li> <li>• Outside Entry Spindle</li> <li>• Long Inside Passage Half Spindle</li> <li>• 2<sup>1</sup>/<sub>2</sub>" Deadbolt Mounting Screws</li> <li>• Full-Lip Strike Plate</li> <li>• Deadbolt Strike Plate</li> </ul>	<p>• <i>Extended</i> Door Thickness: 2"- 2<sup>1</sup>/<sub>2</sub>"</p> <p>Extended Components:</p> <ul style="list-style-type: none"> <li>• 2" Rosette Screws</li> <li>• Long Single Cylinder Tailpiece</li> <li>• Long Outside Entry Spindle</li> <li>• Long Inside Passage Half Spindle</li> <li>• 3" Deadbolt Mounting Screws</li> <li>• Spindle Extensions</li> <li>• Extended Full-Lip Strike Plate</li> <li>• Deadbolt Strike Plate</li> </ul>	<p>• <i>Extended</i> Door Thickness: 2<sup>1</sup>/<sub>2</sub>"- 2<sup>7</sup>/<sub>8</sub>"</p> <p>Extended Components:</p> <ul style="list-style-type: none"> <li>• 2<sup>1</sup>/<sub>2</sub>" Rosette Screws</li> <li>• Extra Long Single Cylinder Tailpiece</li> <li>• Long Outside Entry Spindle</li> <li>• Extra Long Inside Passage Half Spindle</li> <li>• 3<sup>1</sup>/<sub>2</sub>" Deadbolt Mounting Screws</li> <li>• Spindle Extensions</li> <li>• Extended Full-Lip Strike Plate</li> <li>• Deadbolt Strike Plate</li> </ul>
---	--	---

**Cast Bronze Tubular Entryset Monolithic, Double Cylinder**

Remington (452112), Greeley (452332), Rectangular Monolithic (452512), Sheridan (452812)  
Rectangular Full Length (452613), Tuscany (472112), Art Nouveau (472333), Octagon (472222), Creston (452913)

<p>• Standard Door Thickness: 1<sup>3</sup>/<sub>4</sub>"- 2"</p> <p>Standard Components:</p> <ul style="list-style-type: none"> <li>• 1<sup>1</sup>/<sub>2</sub>" Rosette Screws</li> <li>• Double Cylinder Tailpiece</li> <li>• Outside Entry Spindle</li> <li>• Long Inside Passage Half Spindle</li> <li>• 2<sup>1</sup>/<sub>2</sub>" Deadbolt Mounting Screws</li> <li>• Full-Lip Strike Plate</li> <li>• Deadbolt Strike Plate</li> </ul>	<p>• <i>Extended</i> Door Thickness: 2"- 2<sup>5</sup>/<sub>8</sub>"</p> <p>Extended Components:</p> <ul style="list-style-type: none"> <li>• 2" &amp; 2<sup>1</sup>/<sub>2</sub>" Rosette Screws</li> <li>• Long Double Cylinder Tailpiece</li> <li>• Long Outside Entry Spindle</li> <li>• Long Inside Passage Half Spindle</li> <li>• 3" &amp; 3<sup>1</sup>/<sub>2</sub>" Deadbolt Mounting Screws</li> <li>• Spindle Extensions</li> <li>• Extended Full-Lip Strike Plate</li> <li>• Deadbolt Strike Plate</li> </ul>
--	--

**Wrought Steel Tubular Entryset Sectional, Single Cylinder**

Lafayette (461212), San Carlos (461222), Normandy (461232)

- Standard Door Thickness: 1<sup>5</sup>/<sub>8</sub>"- 2"
- Standard Components:
  - 1<sup>1</sup>/<sub>2</sub>" Rosette Screws
  - Single Cylinder Tailpiece
  - Outside Entry Spindle
  - Inside Passage Half Spindle
  - 2<sup>1</sup>/<sub>4</sub>" Deadbolt Mounting Screws
  - Full-Lip Strike Plate
  - Deadbolt Strike Plate

- **Extended** Door Thickness: 2"- 2<sup>1</sup>/<sub>2</sub>"
- Extended Components:
  - 2" Rosette Screws
  - Long Single Cylinder Tailpiece
  - Long Outside Entry Spindle
  - Long Inside Passage Half Spindle
  - 3" Deadbolt Mounting Screws
  - Spindle Extensions
  - Extended Full-Lip Strike Plate
  - Deadbolt Strike Plate

- **Extended** Door Thickness: 2<sup>1</sup>/<sub>2</sub>"- 2<sup>7</sup>/<sub>8</sub>"
- Extended Components:
  - 2<sup>1</sup>/<sub>2</sub>" Rosette Screws
  - Extra Long Single Cylinder Tailpiece
  - Long Outside Entry Spindle
  - Extra Long Inside Passage Half Spindle
  - 3<sup>1</sup>/<sub>2</sub>" Deadbolt Mounting Screws
  - Spindle Extensions
  - Extended Full-Lip Strike Plate
  - Deadbolt Strike Plate

**Wrought Steel Tubular Entryset Sectional, Double Cylinder**

Lafayette (462212), San Carlos (462222), Normandy (462232)

- Standard Door Thickness: 1<sup>1</sup>/<sub>2</sub>"- 2"
- Standard Components:
  - 1<sup>1</sup>/<sub>2</sub>" Rosette Screws
  - Double Cylinder Tailpiece
  - Outside Entry Spindle
  - Inside Passage Half Spindle
  - 2<sup>1</sup>/<sub>4</sub>" Deadbolt Mounting Screws
  - Full-Lip Strike Plate
  - Deadbolt Strike Plate

- **Extended** Door Thickness: 2"- 2<sup>5</sup>/<sub>8</sub>"
- Extended Components:
  - 2" Rosette Screws
  - Long Double Cylinder Tailpiece
  - Long Outside Entry Spindle
  - Long Inside Passage Half Spindle
  - 3" Deadbolt Mounting Screws
  - Spindle Extensions
  - Extended Full-Lip Strike Plate
  - Deadbolt Strike Plate

- **Extended** Door Thickness: 2<sup>5</sup>/<sub>8</sub>"- 2<sup>7</sup>/<sub>8</sub>"
- Extended Components:
  - 2<sup>1</sup>/<sub>2</sub>" Rosette Screws
  - Extra Long Double Cylinder Tailpiece
  - Long Outside Entry Spindle
  - Extra Long Inside Passage Half Spindle
  - 3<sup>1</sup>/<sub>2</sub>" Deadbolt Mounting Screws
  - Spindle Extensions
  - Extended Full-Lip Strike Plate
  - Deadbolt Strike Plate

**Wrought Steel Tubular Entryset Monolithic, Single Cylinder**

Lafayette (461111), San Carlos (461121), Normandy (461131)

- Standard Door Thickness: 1<sup>3</sup>/<sub>4</sub>"- 2<sup>1</sup>/<sub>8</sub>"
- Standard Components:
  - 1<sup>1</sup>/<sub>2</sub>" Rosette Screws
  - Single Cylinder Tailpiece
  - Outside Entry Spindle
  - Inside Passage Half Spindle
  - 2<sup>1</sup>/<sub>4</sub>" Deadbolt Mounting Screws
  - Full-Lip Strike Plate
  - Deadbolt Strike Plate

- **Extended** Door Thickness: 2<sup>1</sup>/<sub>4</sub>"- 2<sup>1</sup>/<sub>2</sub>"
- Extended Components:
  - 2" Rosette Screws
  - Long Single Cylinder Tailpiece
  - Long Outside Entry Spindle
  - Long Inside Passage Half Spindle
  - 2<sup>1</sup>/<sub>2</sub>" Deadbolt Mounting Screws
  - Spindle Extensions
  - Extended Full-Lip Strike Plate
  - Deadbolt Strike Plate

- **Extended** Door Thickness: 2<sup>1</sup>/<sub>2</sub>"- 3"
- Extended Components:
  - 2<sup>1</sup>/<sub>2</sub>" Rosette Screws
  - Extra Long Single Cylinder Tailpiece
  - Long Outside Entry Spindle
  - Extra Long Inside Passage Half Spindle
  - 3" Deadbolt Mounting Screws
  - Spindle Extensions
  - Extended Full-Lip Strike Plate
  - Deadbolt Strike Plate

**Wrought Steel Tubular Entryset Monolithic, Double Cylinder**

Lafayette (462111), San Carlos (462121), Normandy (462131)

- Standard Door Thickness: 1<sup>3</sup>/<sub>4</sub>"- 2"
- Standard Components:
  - 1<sup>1</sup>/<sub>2</sub>" Rosette Screws
  - Double Cylinder Tailpiece
  - Outside Entry Spindle
  - Inside Passage Half Spindle
  - 2<sup>1</sup>/<sub>4</sub>" Deadbolt Mounting Screws
  - Full-Lip Strike Plate
  - Deadbolt Strike Plate

- **Extended** Door Thickness: 2"- 2<sup>5</sup>/<sub>8</sub>"
- Extended Components:
  - 2" Rosette Screws
  - Long Double Cylinder Tailpiece
  - Long Outside Entry Spindle
  - Long Inside Passage Half Spindle
  - 3" Deadbolt Mounting Screws
  - Spindle Extensions
  - Extended Full-Lip Strike Plate
  - Deadbolt Strike Plate

**Grip-By-Grip Tubular Entryset, Single Cylinder**

Denver(454212), Remington(454111), Greeley(454333), Rectangular Sectional(454414), Rectangular Monolithic(454515), Rectangular Full Length(454636), Tuscany Sectional(474444), Tuscany(474111), Octagon(474222), Art Nouveau-LH(474333LH), Art Nouveau-RH(474333RH)

<ul style="list-style-type: none"> <li>• Standard Door Thickness: 1<sup>5</sup>/<sub>8</sub>"- 2"</li> <li>Standard Components:</li> <li>• 1<sup>1</sup>/<sub>2</sub>" &amp; 2" Rosette Screws</li> <li>• Single Cylinder Tailpiece</li> <li>• Outside Entry Spindle</li> <li>• Inside Passage Half Spindle</li> <li>• 2<sup>1</sup>/<sub>2</sub>" Deadbolt Mounting Screws</li> <li>• Full-Lip Strike Plate</li> <li>• Deadbolt Strike Plate</li> </ul>	<ul style="list-style-type: none"> <li>• <b>Extended</b> Door Thickness: 2"- 2<sup>1</sup>/<sub>2</sub>"</li> <li>Extended Components:</li> <li>• 2" &amp; 2<sup>1</sup>/<sub>2</sub>" Rosette Screws</li> <li>• Long Single Cylinder Tailpiece</li> <li>• Long Outside Entry Spindle</li> <li>• 3" Deadbolt Mounting Screws</li> <li>• Extended Full-Lip Strike Plate</li> <li>• Deadbolt Strike Plate</li> </ul>	<ul style="list-style-type: none"> <li>• <b>Extended</b> Door Thickness: 2<sup>1</sup>/<sub>2</sub>"- 3"</li> <li>Extended Components:</li> <li>• 2<sup>1</sup>/<sub>2</sub>" &amp; 3" Rosette Screws</li> <li>• Extra Long Single Cylinder Tailpiece</li> <li>• Long Outside Entry Spindle</li> <li>• 3<sup>1</sup>/<sub>2</sub>" Deadbolt Mounting Screws</li> <li>• Extended Full-Lip Strike Plate</li> <li>• Deadbolt Strike Plate</li> </ul>
--	--	---

**Grip-By-Grip Tubular Entryset, Double Cylinder**

Denver(454212), Remington(454111), Greeley(454333), Rectangular Sectional(454414), Rectangular Monolithic(454515), Rectangular Full Length(454636), Tuscany Sectional(474444), Tuscany(474111), Octagon(474222), Art Nouveau-LH(474333LH), Art Nouveau-RH(474333RH)

<ul style="list-style-type: none"> <li>• Standard Door Thickness: 1<sup>5</sup>/<sub>8</sub>"- 2<sup>1</sup>/<sub>8</sub>"</li> <li>Standard Components:</li> <li>• 1<sup>1</sup>/<sub>2</sub>" Rosette Screws</li> <li>• Double Cylinder Tailpiece</li> <li>• Outside Entry Spindle</li> <li>• 2<sup>1</sup>/<sub>2</sub>" &amp; 3" Deadbolt Mounting Screws</li> <li>• Full-Lip Strike Plate</li> <li>• Deadbolt Strike Plate</li> </ul>	<ul style="list-style-type: none"> <li>• <b>Extended</b> Door Thickness: 2<sup>1</sup>/<sub>8</sub>"- 3"</li> <li>Extended Components:</li> <li>• 2<sup>1</sup>/<sub>2</sub>" &amp; 3" Rosette Screws</li> <li>• Long Double Cylinder Tailpiece</li> <li>• Long Outside Entry Spindle</li> <li>• 3" &amp; 3<sup>1</sup>/<sub>2</sub>" Deadbolt Mounting Screws</li> <li>• Extended Full-Lip Strike Plate</li> <li>• Deadbolt Strike Plate</li> </ul>
--	--

Face and Strike Plates

Deadbolt Strike Plates

